

KQEA

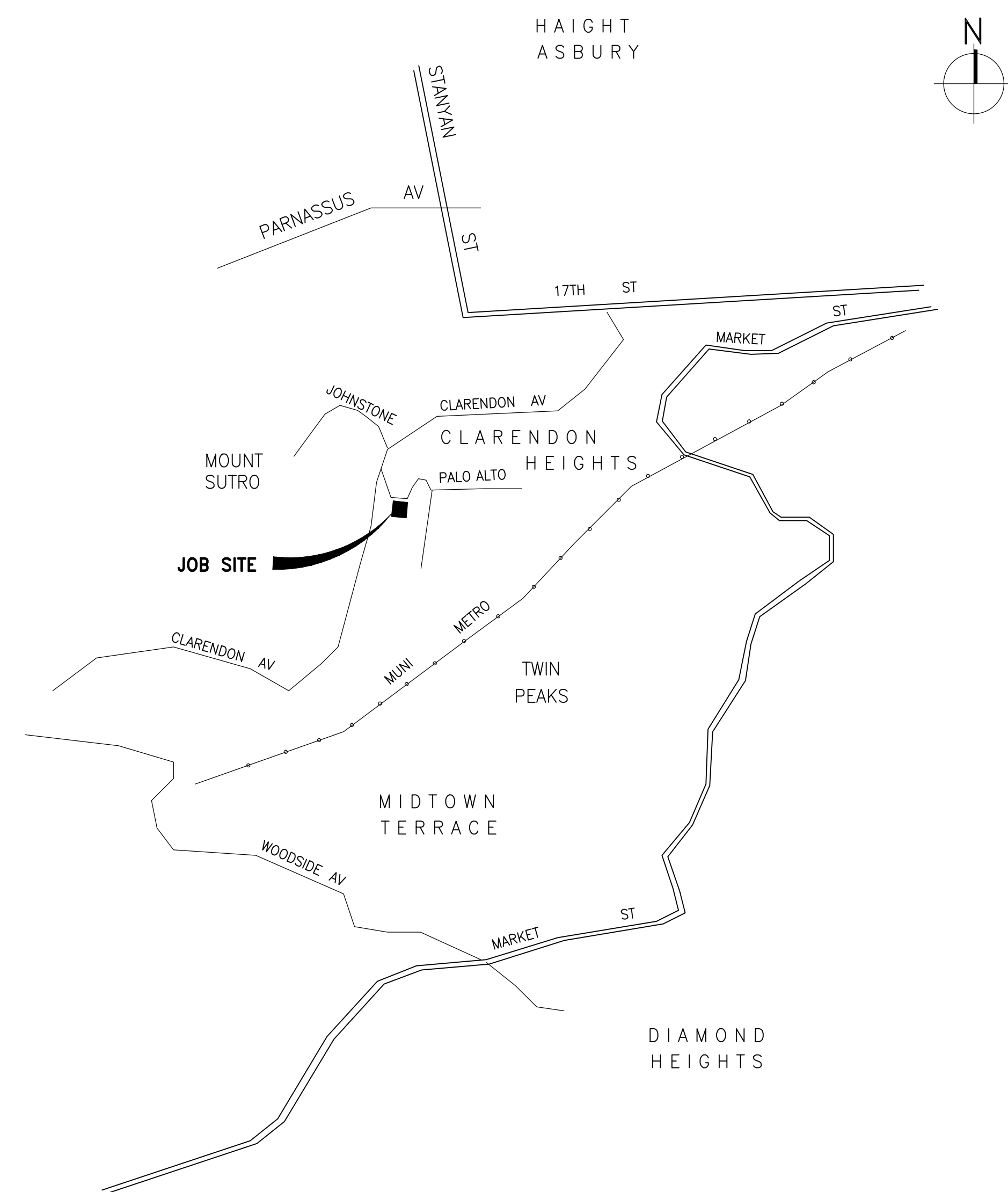
EQUIPMENT INSTALLATION

SUTRO TOWER

SAN FRANCISCO, CALIFORNIA

Consultant

VICINITY MAP



PROJECT SCOPE:

INSTALLATION ONE LOW POWER FM ANTENNA ON AN EXISTING MOUNT ON LEG C BETWEEN THE SECOND AND THE THIRD LEVEL. INSTALLATION OF ONE EQUIPMENT CABINET WITHIN THE EAST SIDE WALKWAY OF THE SECOND LEVEL.

LIST OF DRAWINGS

- S0.0 TITLE SHEET, VICINITY MAP & LIST OF DRAWINGS
- S1.0 TOWER REFERENCE PLAN & ELEVATION
- S2.0 2ND LEVEL FRAMING
- S5.1 DETAILS

No.	Date	Description	By
0	07/10/15	ISSUED FOR PERMIT	ROH

KQEA
EQUIPMENT
INSTALLATION
SUTRO TOWER
 1 LA AVANZADA ST
 SAN FRANCISCO
 CALIFORNIA 94131

Project

TITLE SHEET
VICINITY MAP
&
LIST OF DRAWINGS

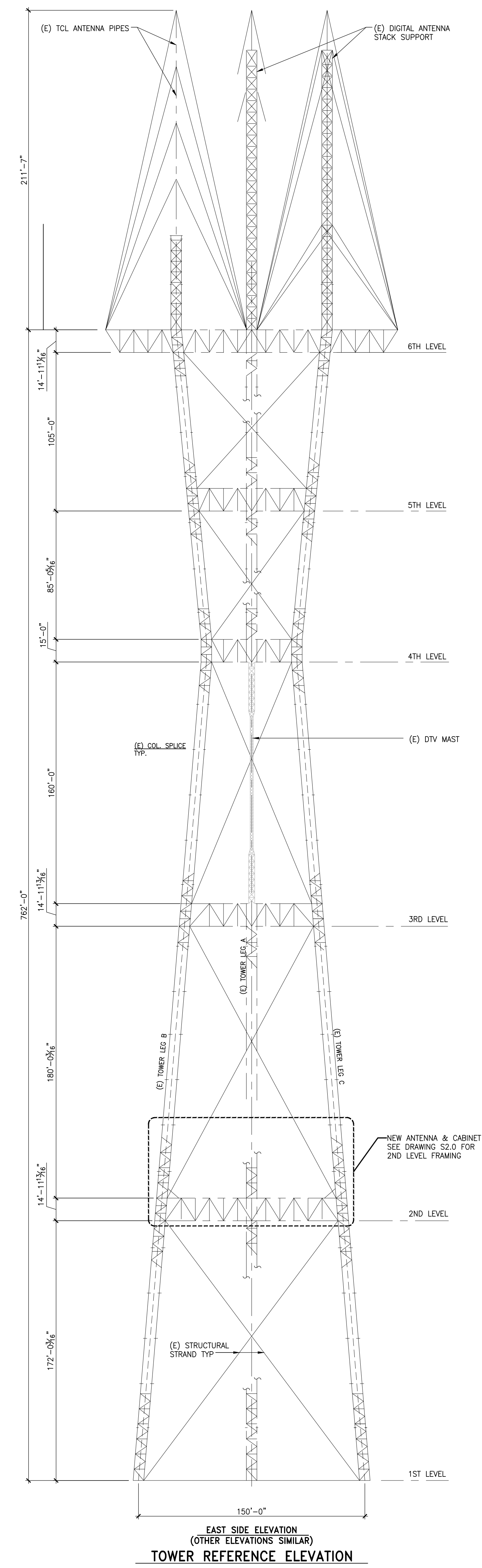
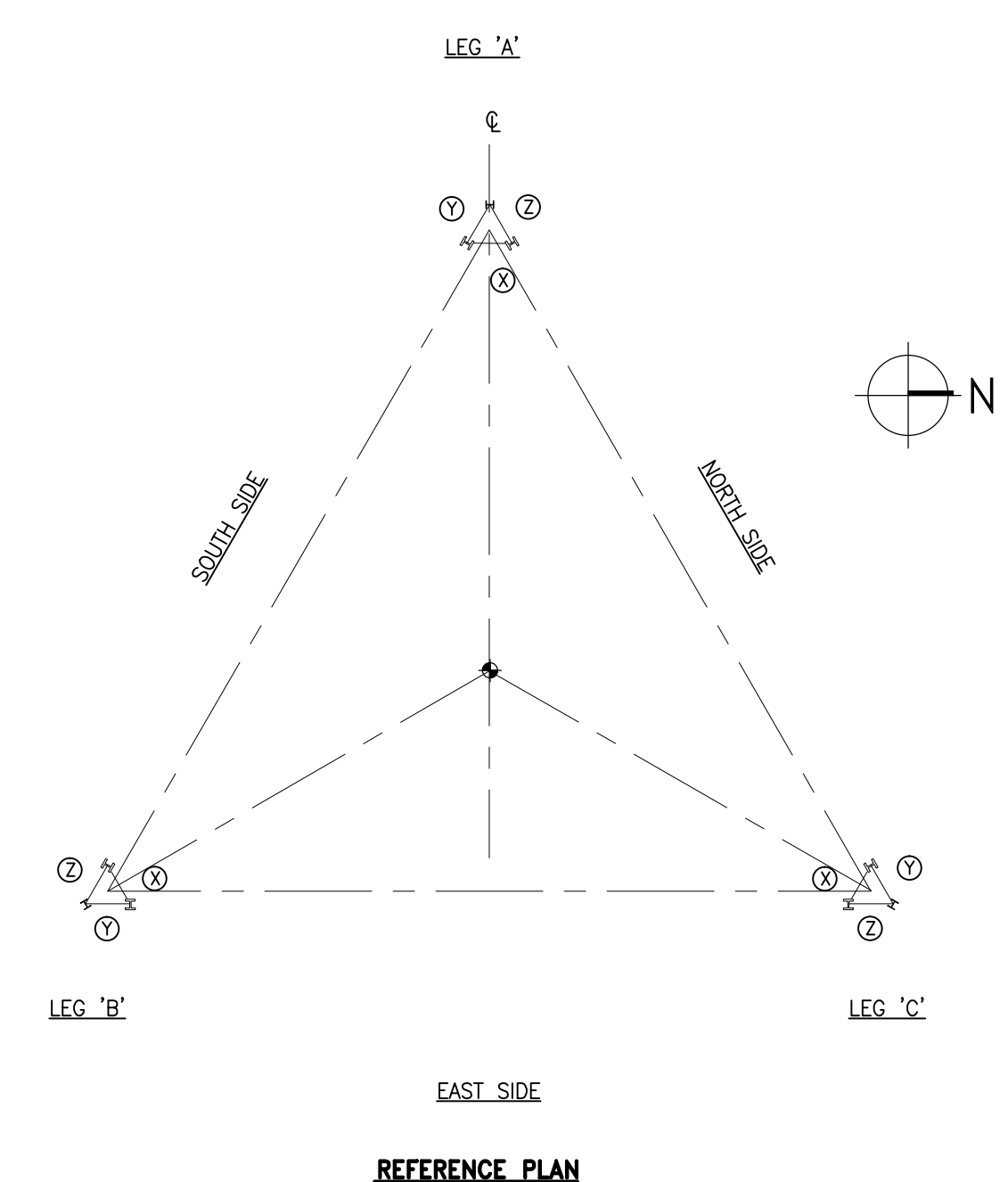
Drawing Title

Commission 067199.19	Checked BJW	Date 06/03/15
Drawn BJW	Approved ROH	Scale AS NOTED
Drawing No.		S0.0

Seal

Ref #	Description	Height	Weight	Equipment Type	RF Emission	ERP (KW)	Customer	Purpose
Add New Equipment								
2	KQEA Low Power FM Antenna	230	68	100A-2F-HW 96.9 MHz Two Bay Antenna	Yes	0.001	KQEA	FM BROADCAST

EQUIPMENT LIST



Consultant

No.	Date	Description	By
0	07/10/15	ISSUED FOR PERMIT	ROH

KQEA EQUIPMENT INSTALLATION SUTRO TOWER
 1 LA AVANZADA ST
 SAN FRANCISCO CALIFORNIA 94131

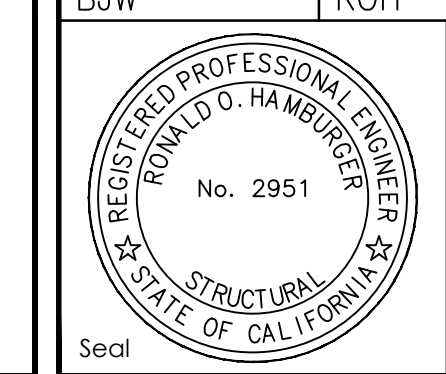
Project

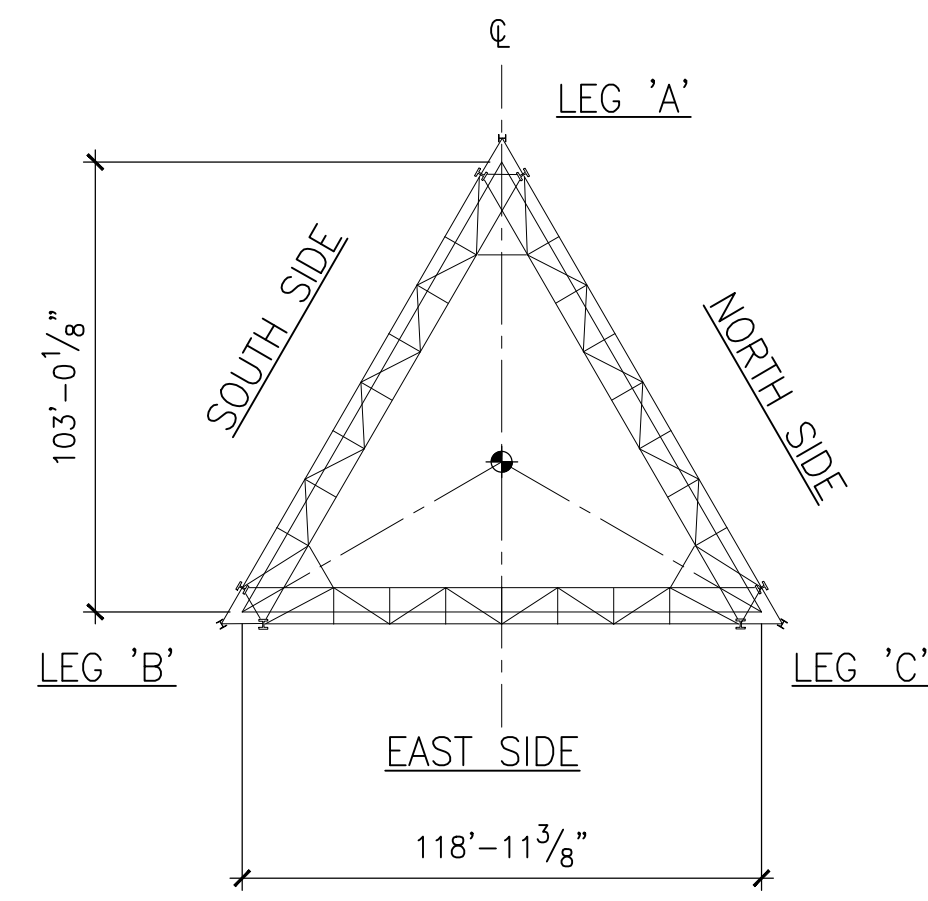
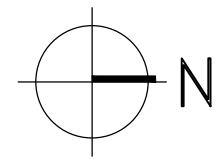
TOWER REFERENCE PLAN & ELEVATION

Drawing Title

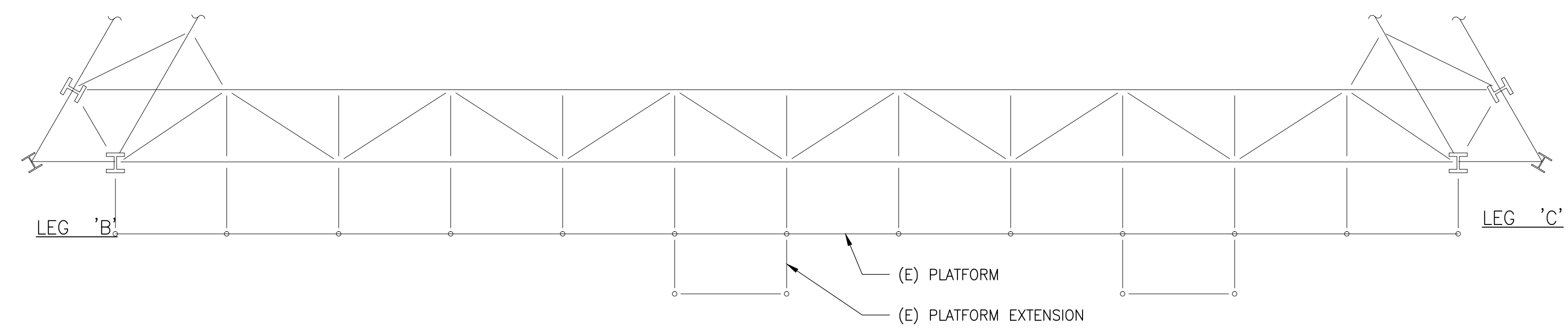
Commission 067199.19	Checked BJW	Date 06/03/15
Drawn BJW	Approved ROH	Scale N.T.S.

Drawing No.
S1.0

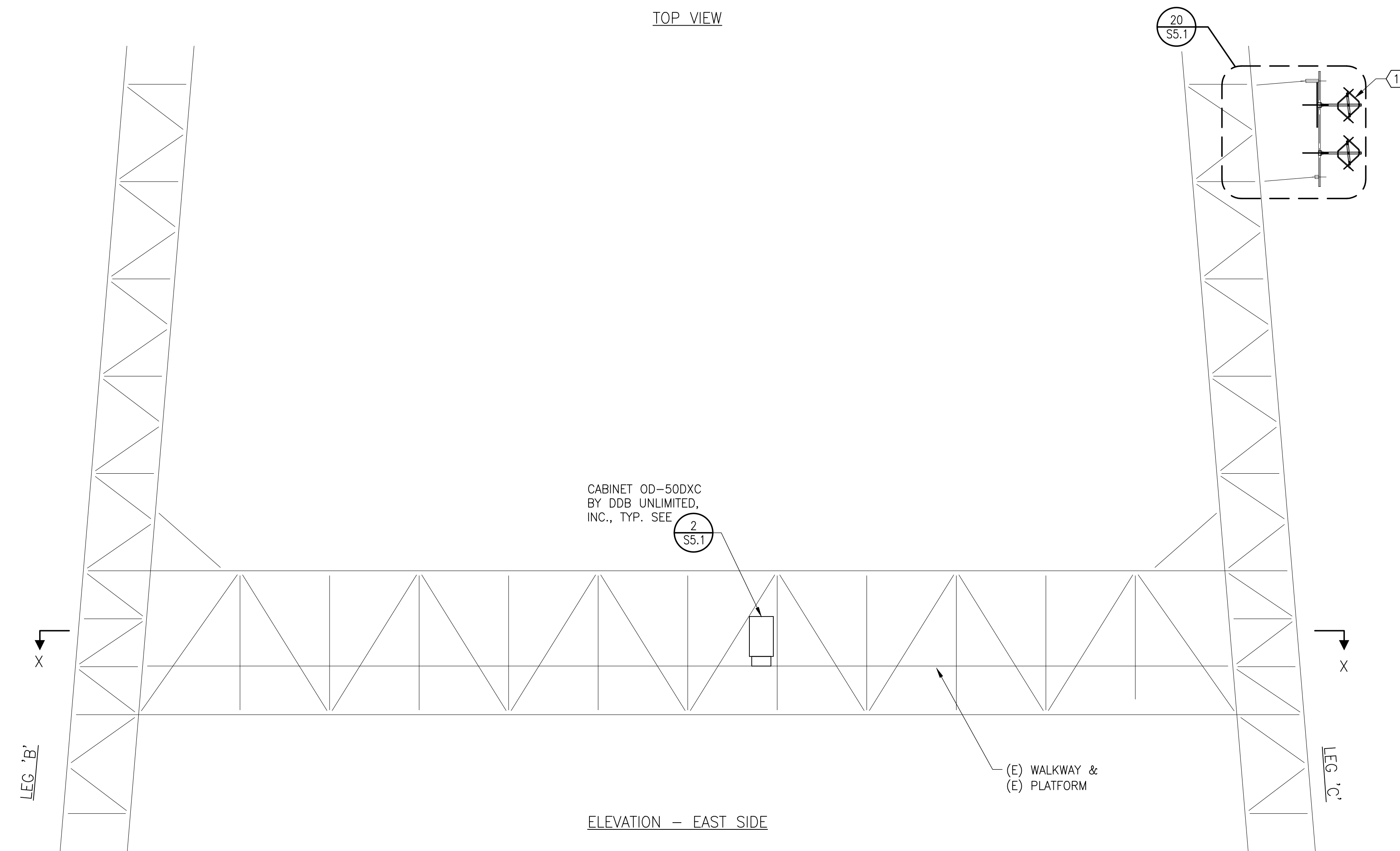




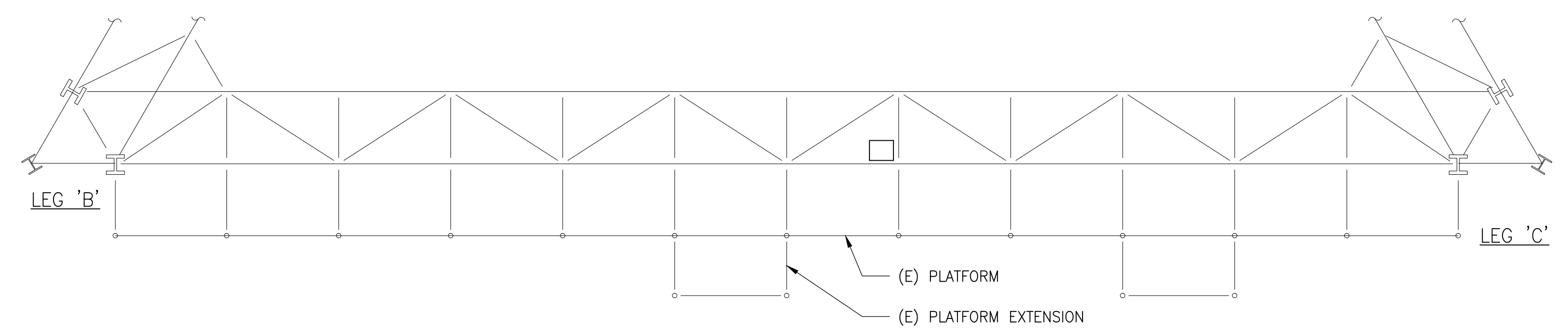
KEY PLAN - 2ND LEVEL



TOP VIEW



ELEVATION - EAST SIDE



SECTION X-X
2ND LEVEL - EAST SIDE

Consultant

No.	Date	Description	By
0	07/10/15	ISSUED FOR PERMIT	ROH

**KQEA
EQUIPMENT
INSTALLATION
SUTRO TOWER
1 LA AVANZADA ST
SAN FRANCISCO
CALIFORNIA 94131**

Project

**2ND LEVEL
FRAMING**

Commission 067199.19	Checked BJW	Date 06/03/15
Drawn BJW	Approved ROH	Scale 1/8" = 1'-0"

Drawing No.

S2.0

